

L.E. - 1/2 SQ.
Balsa Block

1/4 PLY
TO 'Y' CONN.

ENGINE

FLAP
1/8 PLY

TO 'Y' CONN.

1/4" I.D. FIBERGLASS
SHAFT

'Z' BEND & SOLDER

1/4" DIA. ALUM.
POD

NY-ROD BRACE

1/4 PLY

1/16 Balsa
(BOTTOM ONLY)

SHEET ENTIRE AIRCRAFT
1/16 Balsa
EXCEPT TOPS OF AILERONS
& FLAPS

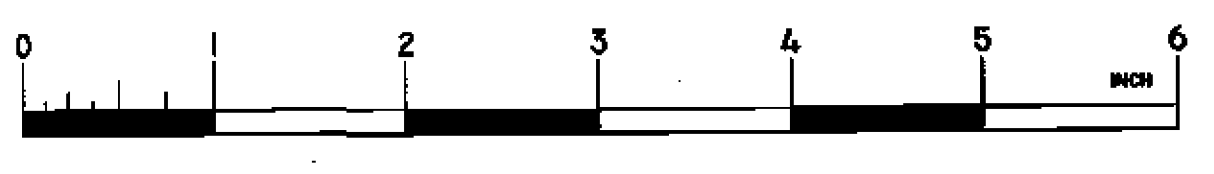
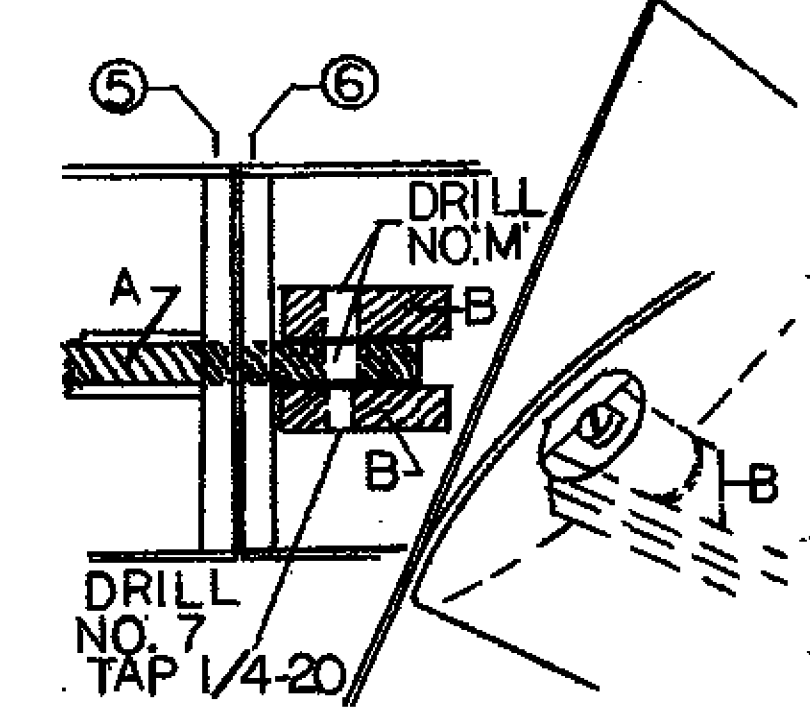
NOTE: DO NOT BUILD ON OR MEASURE FOR
PARTS ON CENTER SECTION TOP VIEW
DUE TO CURVATURE DISTORTION. ALL
PARTS DRAWN ELSEWHERE IN 90° FLAT PLANE.

FANS / POWER - RK 20 W/ O.S. 25 DF (2) OR
KRESS JETS RK 740 (2)

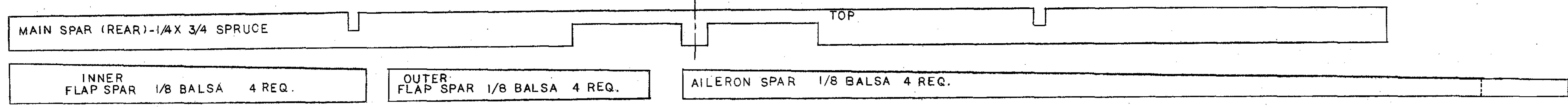
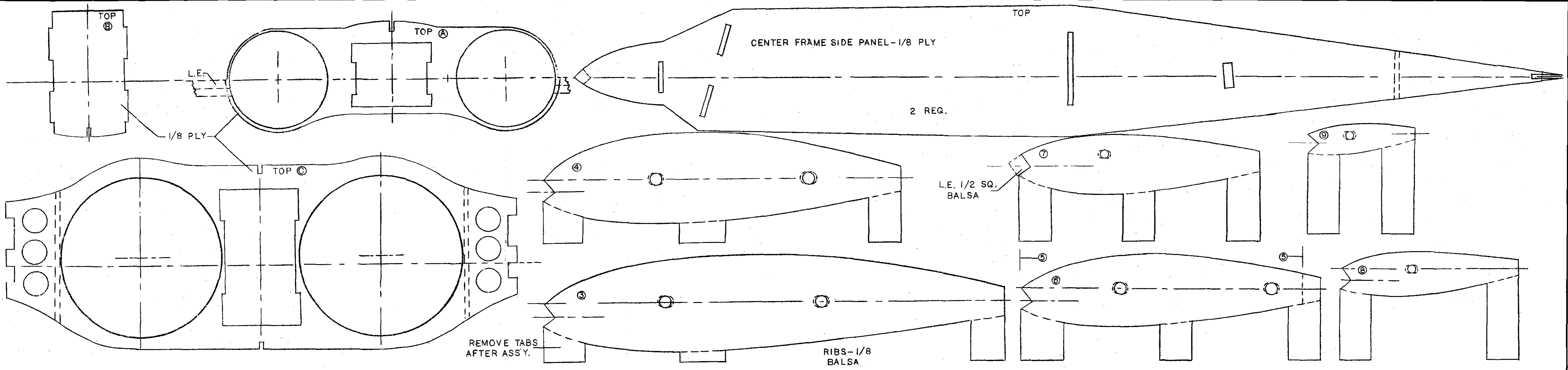
CENTER SECTION
RIB

TO HERE AIRFOIL AT X-X
RIBS ①-②

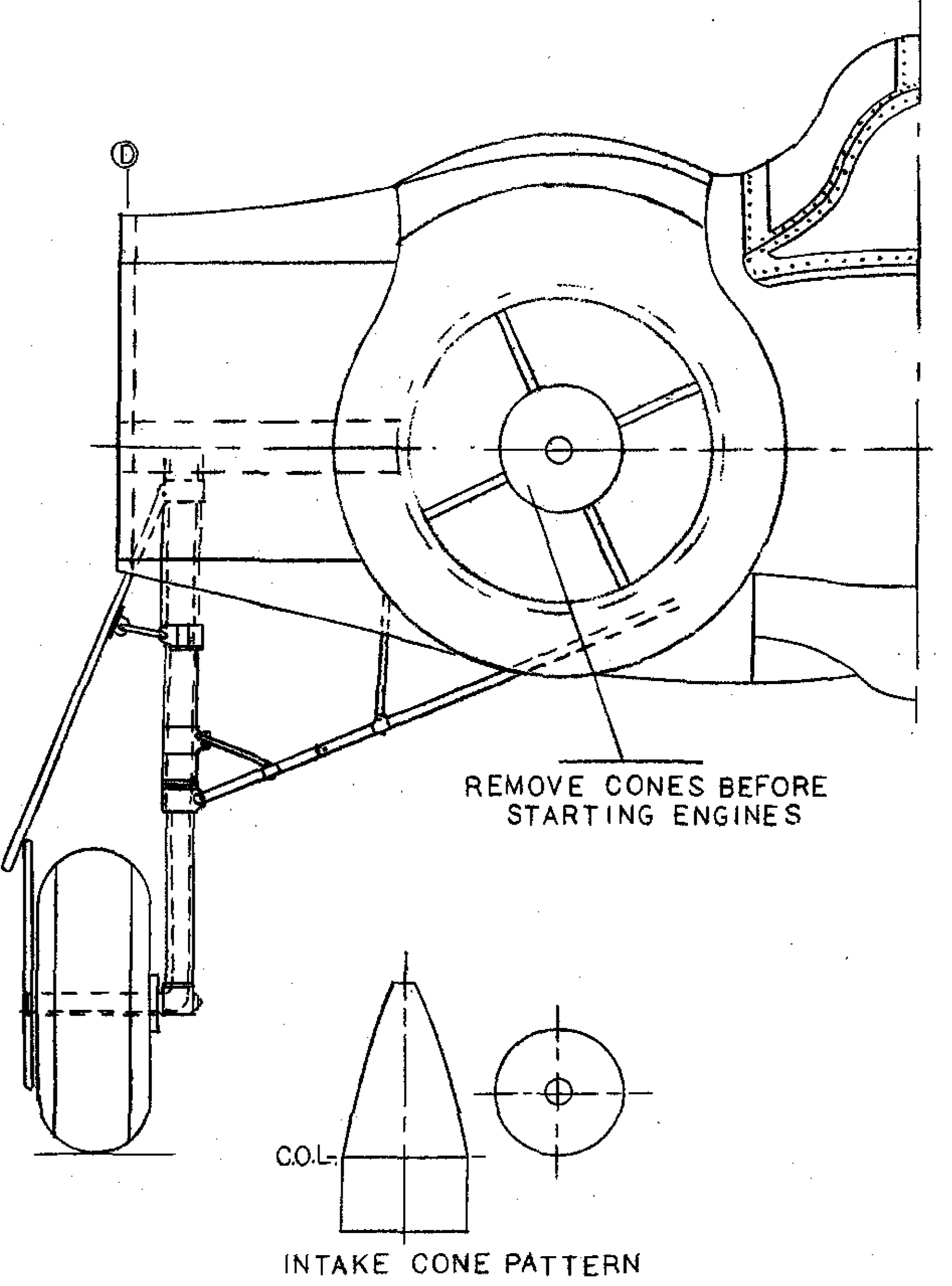
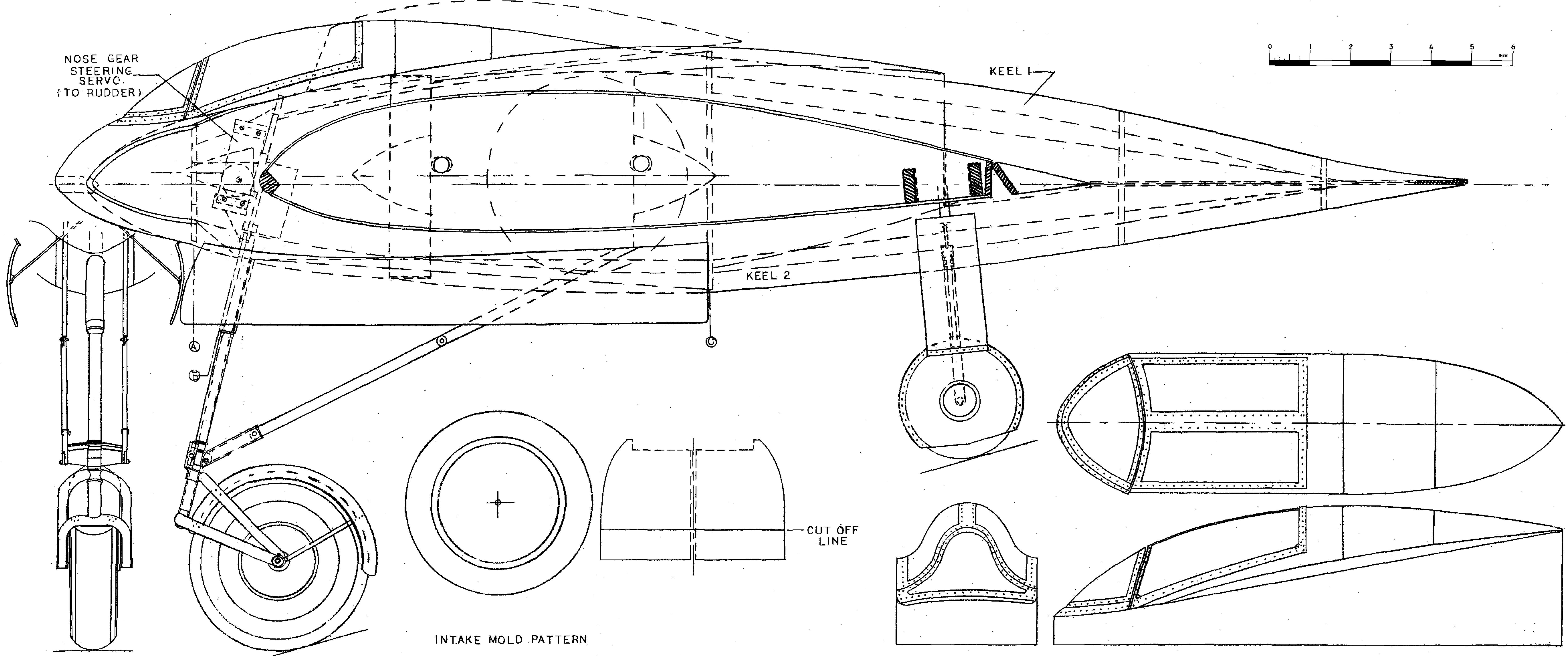
A-B-C-D
1/4" HDWD
USE 1/4-20 X 1" NYLON
WING BOLT



HORTEN HO IX V3/Go 229
SCALE POWER OR SLOPE GLIDER
SCALE 1:8 SHEET 1 OF 2
DESIGNED & DRAWN - JACK LYNN BAILE



FIRST FLIGHTS
 TABS AUTOMATICALLY SET WASHOUT & 1/4" DIHEDRAL.
 SET ELEVONS 1/4" UP FROM NEUTRAL WITH ELEVATOR STICK NEUTRAL.
 BALANCE AT FORWARD C.G. LOCATION



HORTEN Ho. IX V3/ Go 229
 SCALE POWER OR SLOPE GLIDER
 SCALE 1:8 SHEET 2 OF 2
 DESIGNED & DRAWN - JACK LYNN BALE